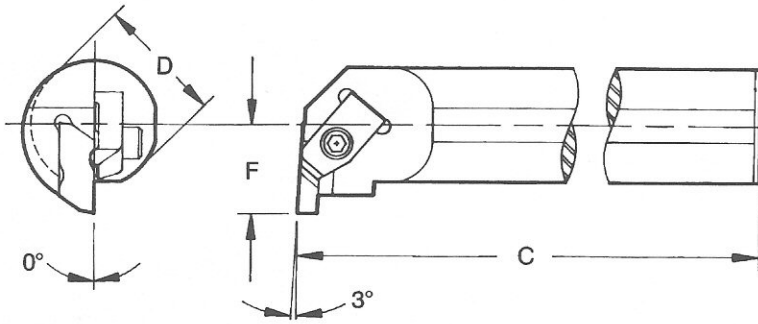


# NER NEL

**NOTE:**  
Right-handed holders use left-hand inserts and clamps.  
Left-handed holders use right-hand inserts and clamps.



## ANC-NOTCH

EXTERNAL  
INTERNAL  
**Threading & Grooving**

BAR NUMBER		INSERT I.C	D	C	E	MIN. BORE	A	CLAMP SCREW	CLAMP	
RIGHT HAND	LEFT HAND								RH	LH
A10-NER-2	A10-NEL-2	1/4	5/8	10	.500	1.000	1/8-27 NPT	S-310	CM-74	CM-75
A12-NER-2	A12-NEL-2		3/4	10	.562	1.125	1/8-27 NPT			
A16-NER-2	A16-NEL-2		1	12	.688	1.375	1/4-18 NPT			
A16-NER-3	A16-NEL-3	3/8	1	12	.688	1.375	1/4-18 NPT	S-412	CM-72	CM-73
A20-NER-3	A20-NEL-3		1-1/4	14	.875	1.750	1/4-18 NPT			
A24-NER-3	A24-NEL-3		1-1/2	14	1.000	2.000	1/4-18 NPT			
A28-NER-3	A28-NEL-3		1-3/4	14	1.125	2.250	1/4-18 NPT			
A32-NER-3	A32-NEL-3		2	16	1.250	2.500	1/4-18 NPT			
A28-NER-4	A28-NEL-4	1/2	1-3/4	14	1.250	2.500	1/4-18 NPT	S-352	CM-80	CM-81
A32-NER-4	A32-NEL-4		2	16	1.375	2.750	1/4-18 NPT			
A32-NER-5	A32-NEL-5	5/8	2	2	1.406	2.812	1/4-18 NPT	S-412	CM-120	CM-121
A32-NER-6	A32-NEL-6	3/4	2	2	1.375	2.750	1/4-18 NPT	S-412	CM-120	CM-121