

Contents



Milling and Drilling Inserts for Screw Fastening Systems..... 10
 A variety of inserts for automotive milling, end milling face milling, and drilling.

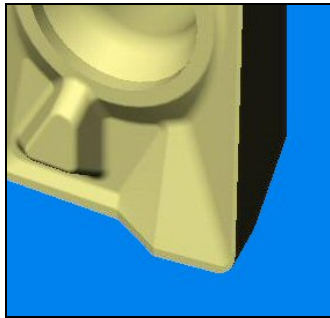


Positive and Negative Rake Milling Inserts for Top Clamping Systems..... 17
 Wide array of ISO standard and special inserts for face milling and automotive milling.

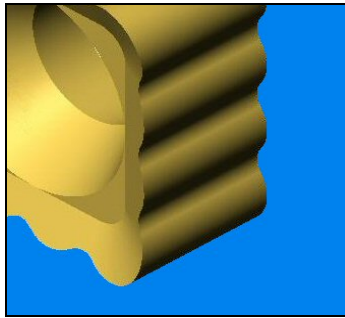


Negative Rake Milling and Boring Inserts for Lock Pin Fastening Systems..... 30
 A full selection of standard negative rake milling and boring inserts for machining almost any workpiece material.

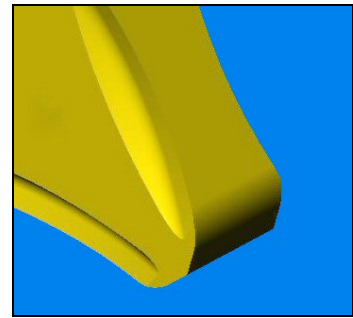
Product Highlights



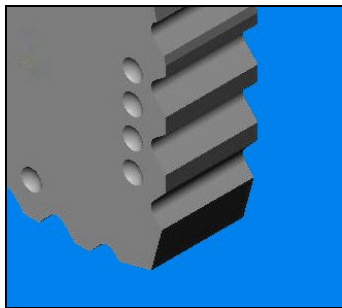
Endmill inserts interchangeable with Iscar®, Ingersoll® and Carboloy® cutters on page 10



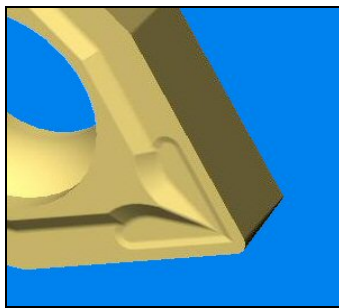
See pages 14-15 for ANC's selection of inserts interchangeable with K-Tool® milling and drilling inserts



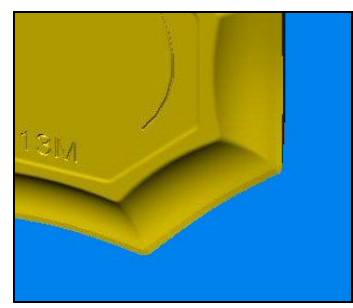
Popular styles of automotive milling inserts can be found throughout the catalog



See pages 17, 25 & 30 for ANC's line of replacement inserts for Milling Specialties TriPhase® cutters



See page 16 for ANC's offering of popular trigon drilling inserts



Octagon milling inserts for use in Carboloy® cutters can be found on pages 12, 13 & 19